

TS5540-MS

Precision Micro-Spray Valves

The new TS5540-MS spray valve is designed to spray low to medium viscosity fluids through disposable dispensing tips. This innovative design enables the valve to produce uniform spray patterns ranging from 0.180" - 0.60" (4.6mm – 15 mm) in diameter.

The TS5540-MS spray valve has a field replaceable UHMWPE seat (seal) to provide positive shut-off and extend the valve life cycle.

The smooth fluid path reduces turbulent flow and reduces air entrapment to ensure precise and repeatable spray patterns.

The stainless steel fluid housing and air cylinder make the valve compatible with a wide range of aggressive and non-aggressive spray fluids.

The compact design and the threaded mounting hole allow the valve to be easily integrated into most automated applications.



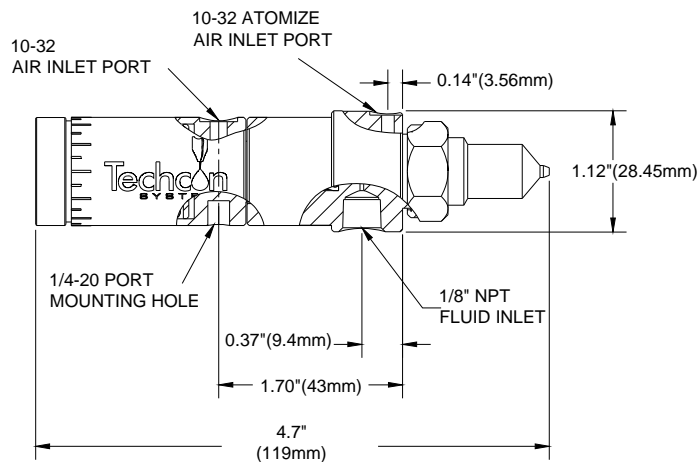
Typical Applications: Coating, lubricant, activators, marking inks, liquids fluxes, solvents

Features:

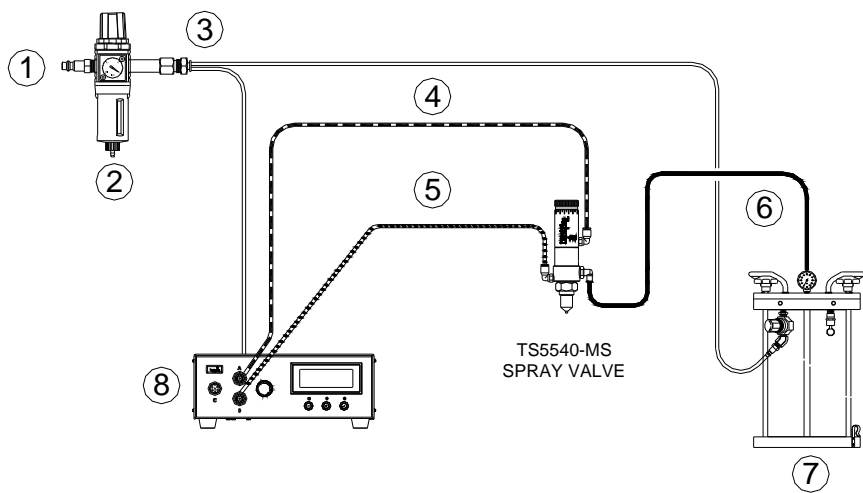
- Uses disposable dispensing tips as spray nozzles to produce miniature spray patterns
- Precise and consistent spray coverage
- Positive shut-off
- Field replaceable wear and tear parts
- Compatible with aggressive fluids
- Long life cycle
- Low cost of ownership

Specifications:

- Length: 4.7" (119mm)
- Diameter: 1.12" (28.5mm)
- Weight: 0.73lb (0.331 kg)
- Wetted Parts: 303 Stainless steel, Teflon®, UHMWPE
- Fluid Inlet Port: 1/8" NPT Female
- Air Inlet Port: 10-32 UNF-2B
- Atomize Air Inlet Port: 10-32 UNF-2B
- Mounting Port: 1/4-20 UNF
- Activation Air Pressure: 70 psi (4.8 bar) min.
- Fluid Pressure: 100 psi (6.9 bar) max.
- Operating Frequency: Exceeds 400 cycles/min.



Typical Setup:



Item #	Description
1	From air source
2	Air Filter
3	Constant air flow
4	Valve Air Hose (included)
5	Atomize Air Hose (included)
6	Fluid Feed Hose (optional)
7	Fluid Reservoir (TS1258- Not included)
8	Valve Controller (TS00R -Not included)

Recommended Controller: TS500R Digital Controller

Material Reservoir: The valve can be fed directly from a syringe (3-55 cc) or can be fed remotely from a cartridge or a pressure tank (TS1258, TS1254).

Dispense Tip: Precision dispense tip TE series 23 Gauge or smaller (1/4" and 1/2" length) is recommended

For application assistance and ordering information please visit Techcon Systems website at www.techconsystems.com